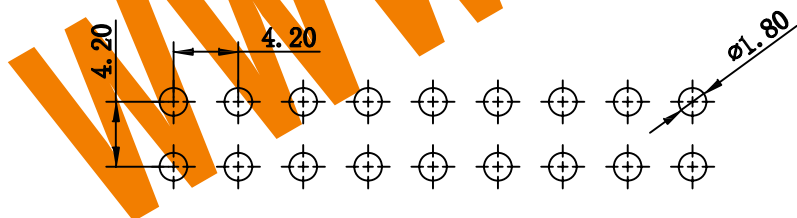
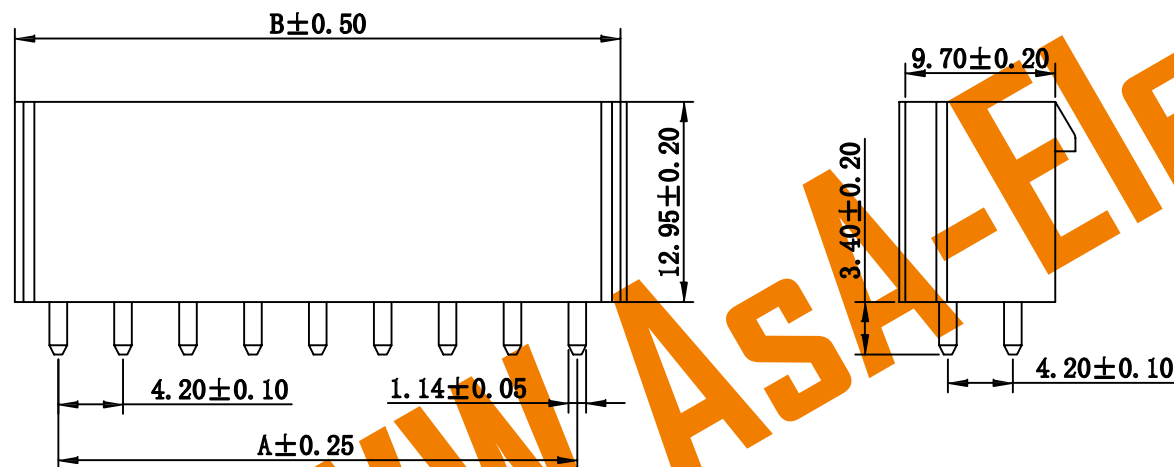
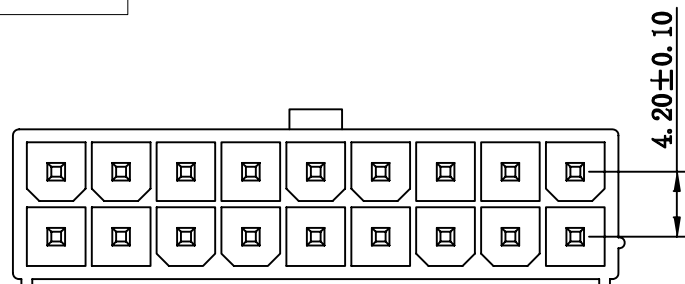


RoHS

REVISION DATE

ITEM	DESCRIPTION	DATE
A	Issue	



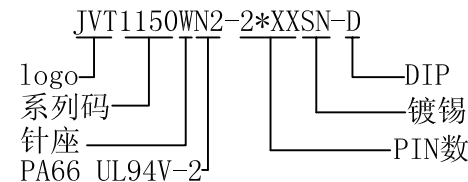
P. C. B LAYOUT

SPECIFICATIONS

- Voltage rating: 250V AC/DC
- Current rating: 7.0A AC/DC
- Withstanding Voltage: 1500V AC/minute
- Insulation resistance: 1000mΩ Min.
- Temperature range: -25°C - +85°C
- Contact resistance: 10mΩ Max.

HOUSING

- Part No.: JVT1150WN2-2*XXSN-D
- Poles: 2x01-2x12
- Material: PA66 UL 94V-2
pin: Brass Tin-plated



Poles	Dimensions (mm)		Poles	Dimensions (mm)	
	A	B		A	B
2x01	--	5.60	2x07	25.20	30.80
2x02	4.20	9.80	2x08	29.40	35.00
2x03	8.40	14.00	2x09	33.60	39.20
2x04	12.60	18.20	2x10	37.80	43.40
2x05	16.80	22.40	2x11	42.00	47.60
2x06	21.00	26.60	2x12	46.20	51.80

投影 (PROJECT)		公差 (TOLERANCE)
单位 (UNIT)	mm	0 ± 0.50
比例 (SCALE)	FIT	0.0 ± 0.30
版本 (EDITION)	A	0.00 ± 0.20
日期 (DATE)	2013 05 18	0.000 ± 0.10

WWW.AsA-Elec.com
AsA Electronic Co.
 Tel: (+98) 21 66 73 56 82 Mob: (+98) 912 03 161 02

绘图 (DRAWN)	TONY	料号 (PART NO)	JVT1150WN2-2*XXSN-D	页次 (PAGE)	
审核 (CHECKED)	CHEN	图号 (DRAW NO)	011-1150		1/1
核准 (APPROVE)		品名 (NAME)	MLX4.2mm WAFER 实心针		